



Loudspeakers

WB1

Wall bracket for Cuboid 8



Optimal Audio



FEATURES

- Vertical and horizontal tilt and pan
- Weatherised for outdoor installation
- Available in black (WB1B)

APPLICATIONS

- Installation of Cuboid 8 loudspeaker

CONTENTS

- 1 x WB1
- 4 x M6x20 CSK socket head

TECHNICAL SPECIFICATIONS

- Weight 0.64kg (1.41lbs)
- Material Weatherised polyester powder coated steel



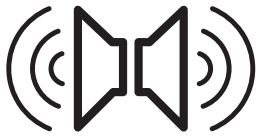
Paint Finish



Weight

optimal-audio.co.uk

© 2023. Optimal Audio Group Ltd.



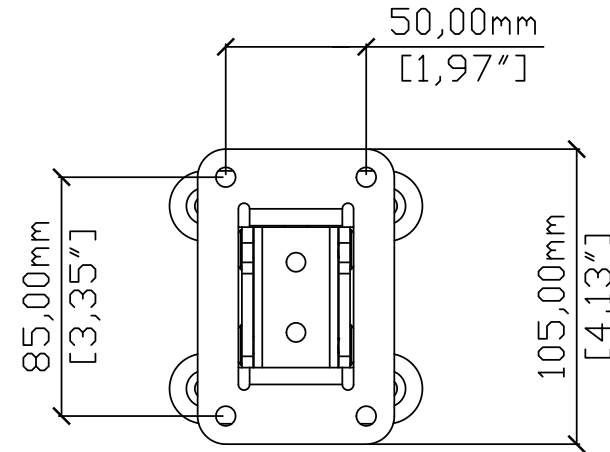
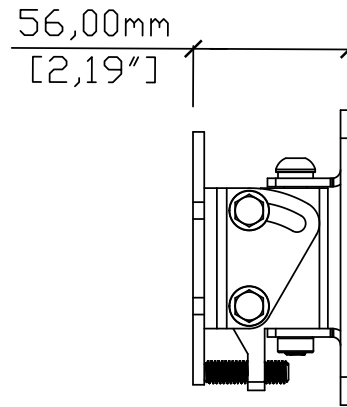
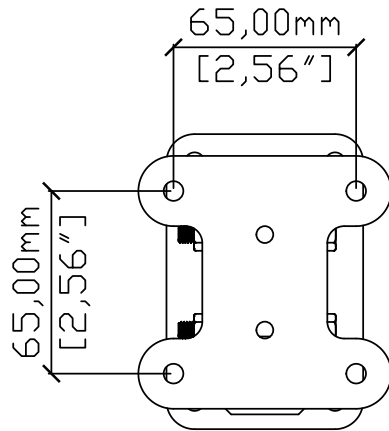
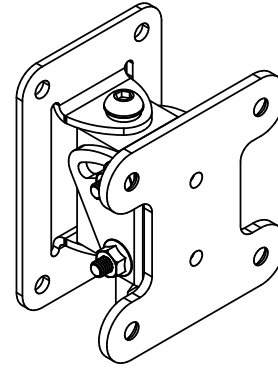
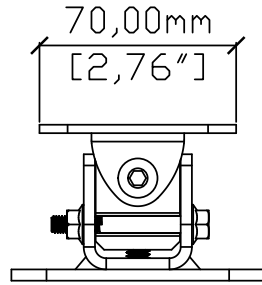
Loudspeakers

WB1

Wall bracket for Cuboid 8



Optimal Audio



optimal-audio.co.uk

© 2023. Optimal Audio Group Ltd.