

Loudspeakers

ASF20099

Construction Ring for Up 6 and Up 60



Optimal Audio



FEATURES

- Secure fixing for Up 6 and Up 60
- 4 x 5mm (0.16") fixing holes
- Zinc Plated Finish

APPLICATIONS

- Secure fixing of Up 6 or Up 60 Ceiling speakers in ceiling material not strong enough to support the weight of the speaker

CONTENTS

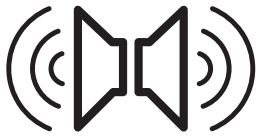
- 1 x ASF20099 Construction Ring (6 per pack)

TECHNICAL SPECIFICATIONS

- Weight 0.5kg

optimal-audio.co.uk

© 2024. Optimal Audio Group Ltd.



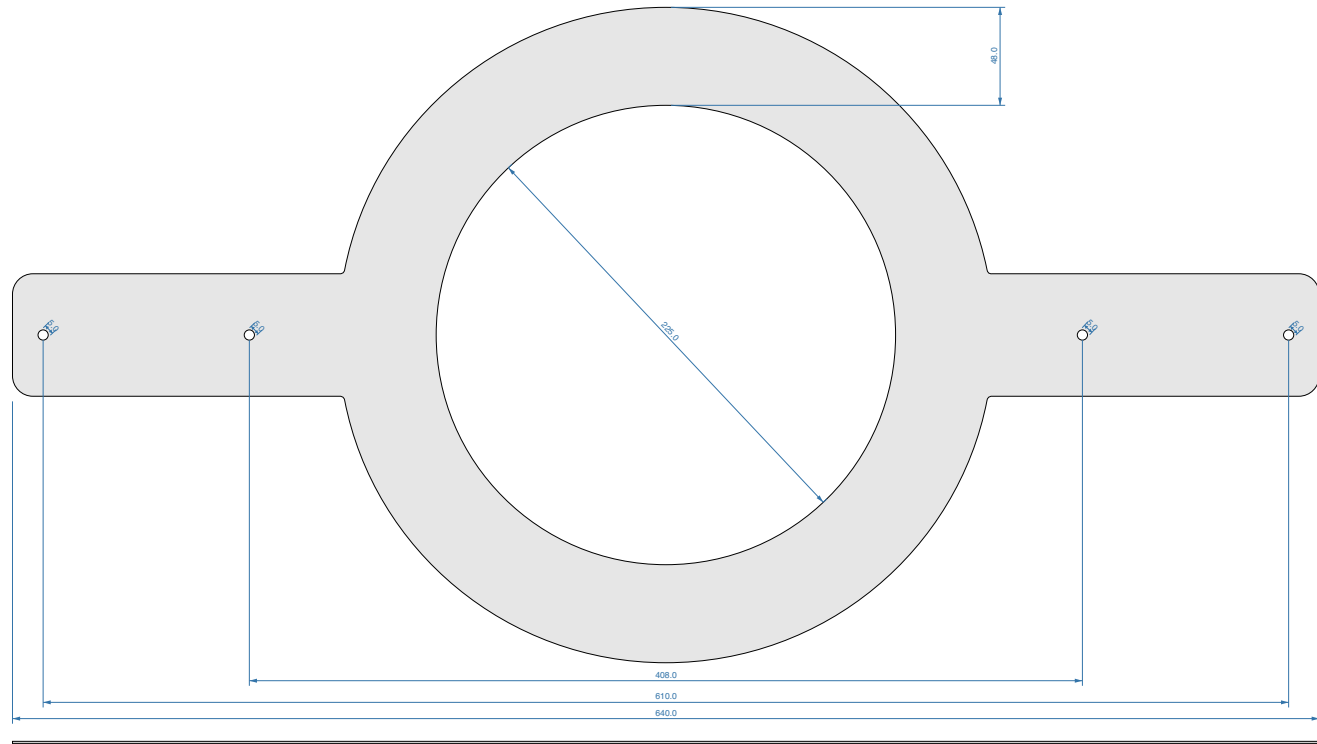
Loudspeakers

ASF20099

Construction Ring for Up 6 and Up 60



Optimal Audio



optimal-audio.co.uk

© 2024. Optimal Audio Group Ltd.