

Loudspeakers

# ASF20097

Construction Ring for Up 3, Up 4S and Up 4



Optimal Audio



## FEATURES

- Secure fixing for Up 3, Up 4S and Up 4
- 4 x 5mm (0.16") fixing holes
- Zinc Plated Finish

## APPLICATIONS

- Secure fixing of Up 3, Up 4S and Up 4 Ceiling speakers in ceiling material not strong enough to support the weight of the speaker

## CONTENTS

- 1 x ASF20097 Construction Ring (6 per pack)

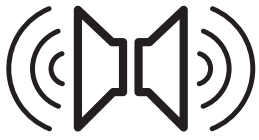
## TECHNICAL SPECIFICATIONS

- Weight                      0.44kg

---

**[optimal-audio.co.uk](https://optimal-audio.co.uk)**

© 2024. Optimal Audio Group Ltd.



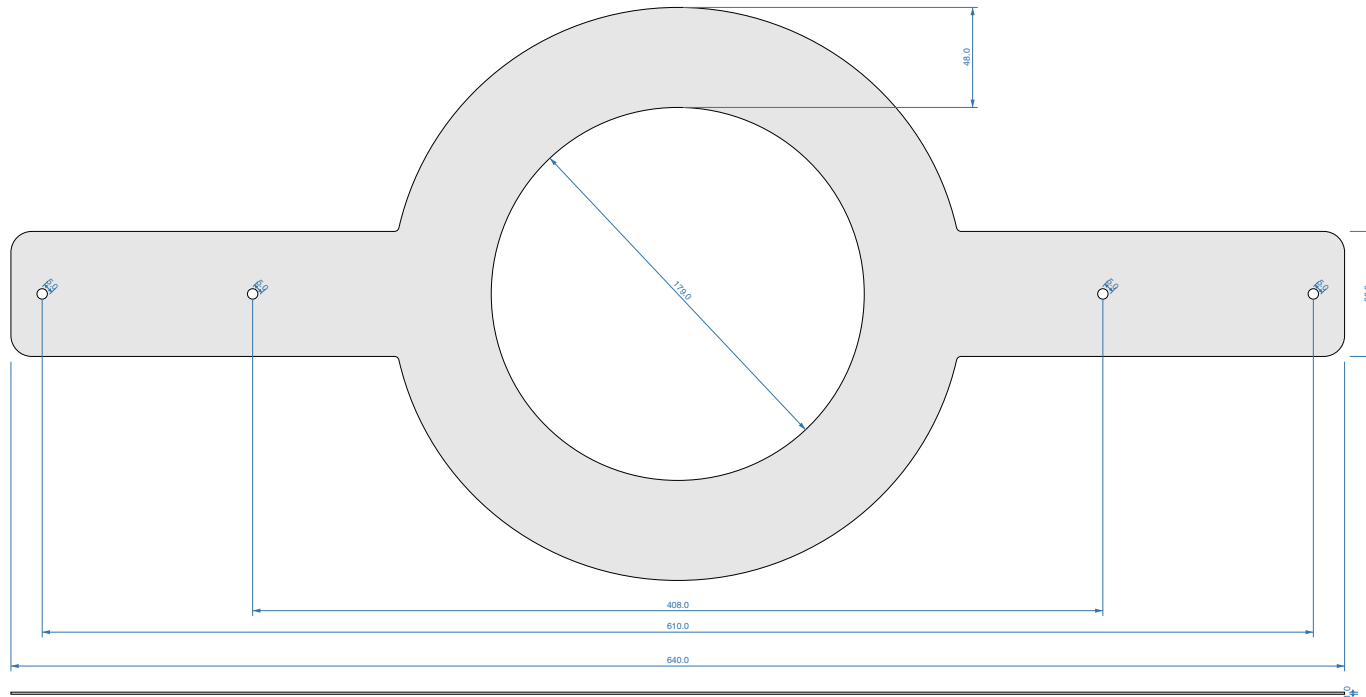
Loudspeakers

# ASF20097

Construction Ring for Up 3, Up 4S and Up 4



Optimal Audio



[optimal-audio.co.uk](https://optimal-audio.co.uk)

© 2024. Optimal Audio Group Ltd.